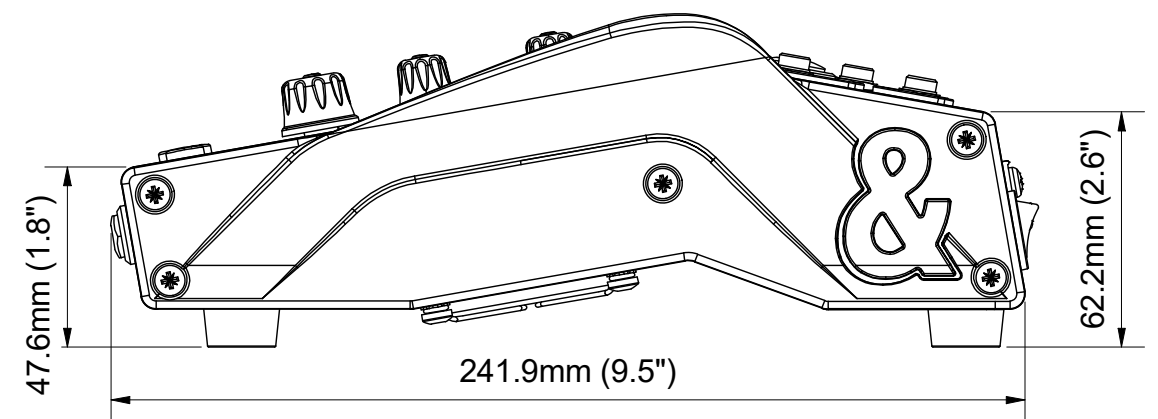
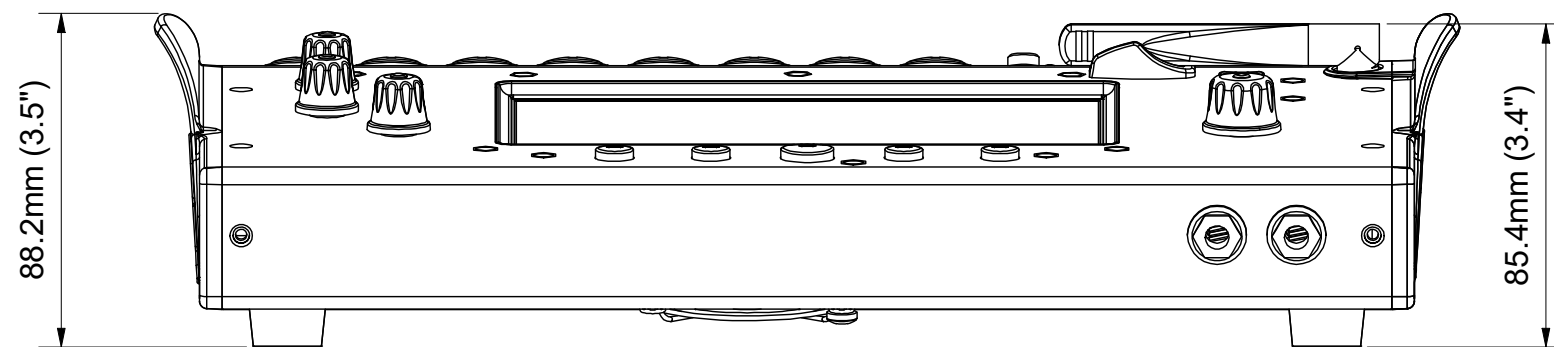


**CQ-18T - without box**

Width - 345.4mm/13.6"  
 Depth - 241.9mm/9.5"  
 Height - 88.2mm/3.5"  
 Weight - 3kg

**CQ-18T - with box**

Width - 430mm/16.9"  
 Depth - 310mm/12.2"  
 Height - 200mm/7.9"  
 Weight - 3.8kg/8.4lbs



REVISION HISTORY				
REV	DESCRIPTION	ECN	DATE	APPROVED
D	FURTHER BOX TWEAKS		12/10/2020	ALEXMO
1	ARTWORK UPDATE		20/05/2021	ALEXMO

THIRD ANGLE PROJECTION	MATERIAL: All materials to be compliant with The Restriction of Hazardous Substances (ROHS2) Directive 2011/65/EU
	TOLERANCES U O S: GENERAL ± 0.25 HOLE CENTRES ± 0.10 HOLE SIZES ± 0.05 ANGULAR DIMS ± 0.50°

FINISH:
---------

DRAWING MAIN ASSY
UNIT CQ-18T
PART No 007-231
DRAWING No Micro L Weights and Dims

<b>ALLEN &amp; HEATH Ltd.</b> KERNICK INDUSTRIAL ESTATE PENRYN CORNWALL TR10 9LU TELEPHONE 01326 372070 FACSIMILE 01326 370153
SHEET 1 of 1