

# ELPLX01S Ultra Short-throw Lens for Epson<sup>®</sup> Pro Series Projectors



Projectors

Optional Lens

## The flexible ultra short-throw lens for Epson interchangeable lens projectors<sup>1</sup> up to 8,500 lumens<sup>2</sup>.

**Project large images at a short distance** — lens makes it easy to display larger-than-life images while minimizing shadows and light path obstructions

**Flexible installation** — .35 throw ratio, wide lens shift and zero offset for enhanced convenience

**Perfect for space-constrained environments** — ideal for narrow spaces and rear-projection applications; unique zero offset design maximizes display size in areas with low ceilings

**Engineered for versatility** — bring bright, bold projection to locations where you previously could not utilize a projector

**Mount point for optional ELPEC01 external camera** — access powerful tools such as auto color calibration<sup>3</sup>, screen matching of multiple projectors<sup>4</sup>, tiling assist<sup>5</sup> for edge blends, and a stacking assist<sup>6</sup> function

**Compatible with Epson Pro Series<sup>1</sup> projectors** — works with Epson interchangeable lens projectors up to 8,500 lumens<sup>2</sup>

**Large screen size** — project 100" to 300"

**WUXGA/WXGA throw ratio** — .35 Lens Shift: Vertical: +50% to +67% (H Center) Horizontal: -10% to +10% (Vertical +50%)

**Designed for stealth installations** — mount in the ceiling with just the lens protruding for a discreet installation

**XGA throw ratio** — .36 Lens Shift: Vertical: +50% to +57% (H Center) Horizontal: -8% to +8% (Vertical +50%)

**Specifications**

**Type** Powered: focus/distortion  
**F-Number** 1.9  
**Focal Length** 5.8 mm  
**Connector** 24-Pin  
**Screen Size (Projected Distance)**  
 100" to 300"  
**Throw ratio** 0.35  
**Lens Shift Range**  
 Vertical: +50% to +67% (H Center) (Powered)  
 Horizontal: -10% to +10% (Vertical+50%) (Powered)  
**Operating Temperature** 32° to 113 °F (0° to 45 °C)

**Dimensions (W x D x H)**

**Ultra Short-Throw Lens** 8.74" x 12.64" x 6.46"  
**Weight** 7.7 lb

**Eco Features**

RoHS compliant  
 Epson America, Inc. is a SmartWay<sup>®</sup> Transport Partner<sup>7</sup>  
 Recyclable product<sup>8</sup>

**Support**

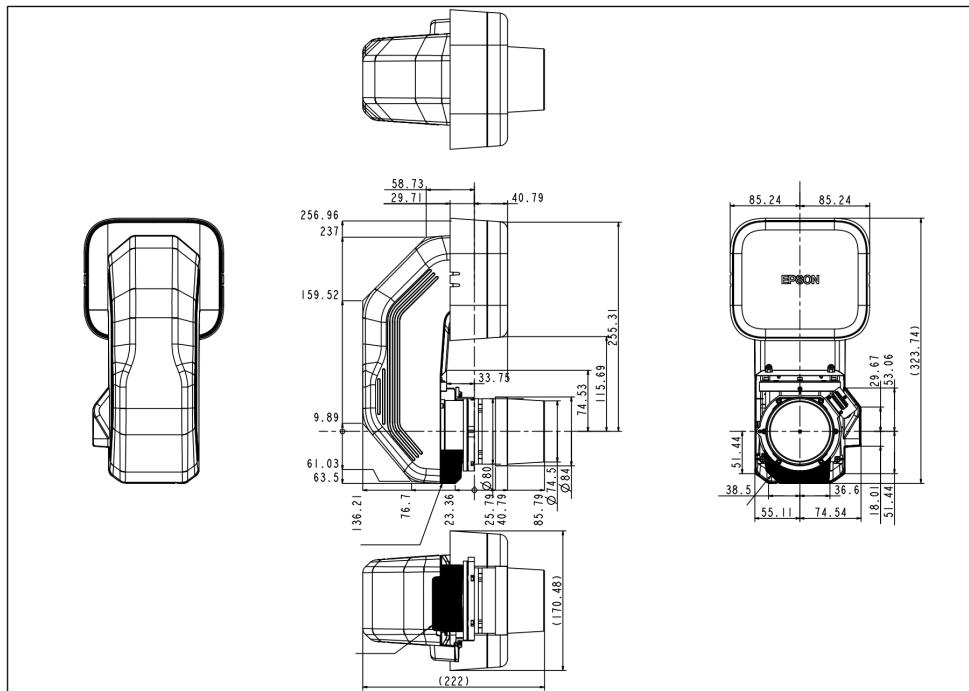
**Epson Connection<sup>SM</sup>**  
 Pre-sales support: U.S. and Canada (800) 463-7766  
 Internet website: www.epson.com

**What's in the Box**

ELPLX01S ultra-short throw lens

**Ordering Information**

ELPLX01S V12H004X0A



1 Fits Epson Pro L Series, Pro G 7000 and EB-P Series projectors up to 8,500 lumens. | 2 Color brightness (color light output) and white brightness (white light output) will vary depending on usage conditions. Color light output measured in accordance with IDMS 15.4; white light output measured in accordance with ISO 21118. | 3 Requires Epson external camera. | 4 Requires an Epson external camera for each projector. | 5 Requires Epson external camera for each projector and the Epson Projector Professional Tool app | 6 Requires Epson external camera for each projector and may, depending on your projector, require Epson Projector Professional Tool app. | 7 For convenient and reasonable recycling options, visit www.epson.com/recycle | 8 SmartWay is an innovative partnership of the U.S. Environmental Protection Agency that reduces greenhouse gases and other air pollutants and improves fuel efficiency.

See the latest innovations from Epson Business Solutions at [www.epson.com/forbusiness](http://www.epson.com/forbusiness)

**Better Products for a Better Future<sup>™</sup>**  
[eco.epson.com](http://eco.epson.com)



**Epson America, Inc.**  
 3131 Katella Ave., Los Alamitos, CA 90720

**Epson Canada Limited**  
 185 Renfrew Drive, Markham, Ontario L3R 6G3

[www.epson.com](http://www.epson.com)  
[www.epson.ca](http://www.epson.ca)

EPSON is a registered trademark, EPSON Exceed Your Vision is a registered logomark and Better Products for a Better Future is a trademark of Seiko Epson Corporation. Epson Connection is a service mark of Epson America, Inc. All other product and brand names are trademarks and/or registered trademarks of their respective companies. Epson disclaims any and all rights in these marks. Copyright 2021 Epson America, Inc. CPD-61036 4/21

**Contact:**